

# VELVET Power 2 Spot 15° IP54

Ref.: VP2IP54SP

Datasheet: November 2021 / Page 1



## 2x1 feet bicolor weatherproof concentrated long distance beam light LED panel

[Click here for more product information](#)

**VP2IP54SP includes:** 1x VELVET Power 2 Spot 15° IP54 LED panel, 1x yoke with 28mm Junior pin-16mm baby receiver



1. XLR-3 DC IN
2. Power switch
3. +/− Adjustment buttons
4. 3200K/ 5600K Quick access button
5. Mode selection button (Dimmer/ Colour Temp)
6. Digital display
7. XLR-5 DMX In&Out



# VELVET Power 2 Spot 15° IP54

Ref.: VP2IP54SP

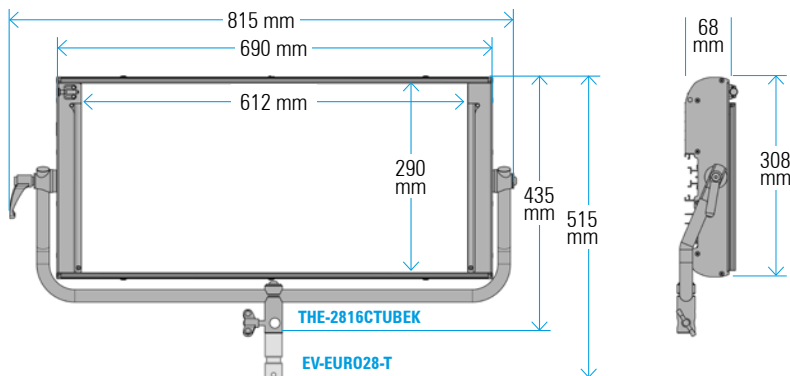
Datasheet: November 2021 / Page 2



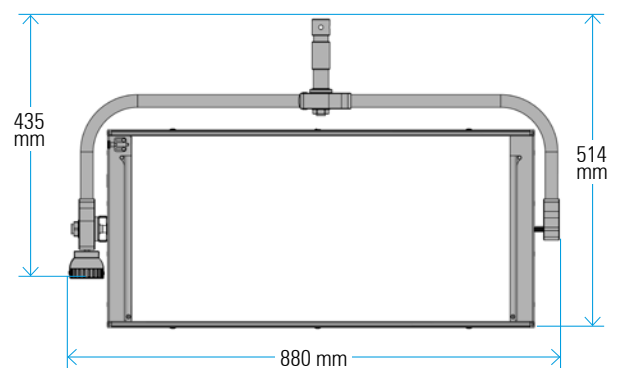
## SPECIFICATIONS

COLOUR TEMPERATURE	Adjustable from 2700K a 6500K (100K increments)
LIGHT INTENSITY	Dimmable 0 to 100 (smooth and flicker-free)
LOCAL CONTROL	Shock proof buttons and display
WIRE CONTROL	DMX DMX-RDM with XLR-5 IN connector
TLCI INDEX	98 at 3200K and 96 at 5600K
PHOTOMETRICS	8900 lux / 827 fc at 3m / 9.8 feet 2540 lux / 236 fc at 6m/20 feet
BEAM ANGLE	15° Nominal 30° With D25 filter 45° With D50 filter 90° With D100 filter 105° With DVELVET filter
DIMENSIONS	690x308x68mm / 27.2"x12"x2.7" (panel) 815x435x68mm / 32.1"x17.1"x2.7" (panel + yoke)
WEIGHT	7 kg / 15,5 lbs (panel) 7.6 kg / 16.7 lbs (panel + yoke)
POWER DRAW	190W
POWER SUPPLY	24-35V DC via XLR3 V-Lock or Gold mount battery plate 90-264V AC 50/60Hz
LED RATED LIFE	More than 50.000 hours
POWER CONNECTION	Neutrik XLR-3 DC In connector
OUTPUT FREQUENCY	2000 fps
OPERATION TEMPERATURE	From -20°C to +40°C
COOLING	No-noise, fan-free passive cooling
PROTECTION	IP54 rainproof, indoor or outdoor use
VELVET LED TECHNOLOGY	Selected BIN High-power LED + VELVET custom optics + CPU software control
CONSTRUCTION & FINISH	Made of black powdercoated extruded and sheet aluminum

## VELVET Power 2 IP54 + MO Yoke



## VELVET Power 2 IP54 + PO Yoke



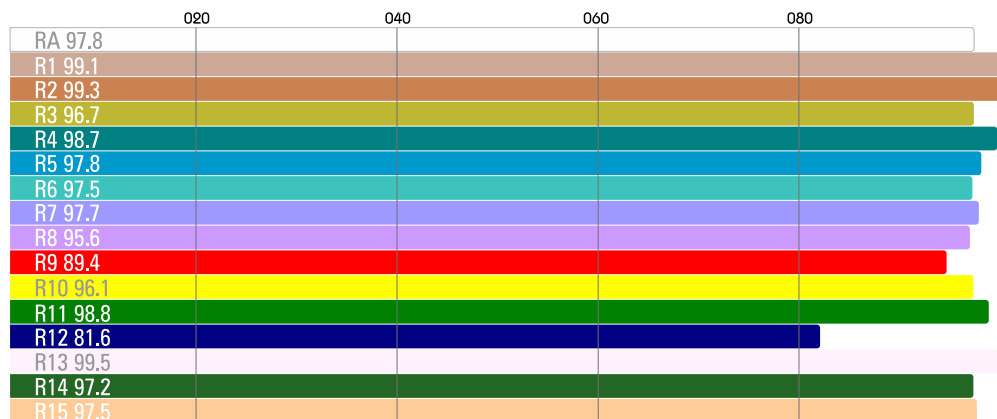
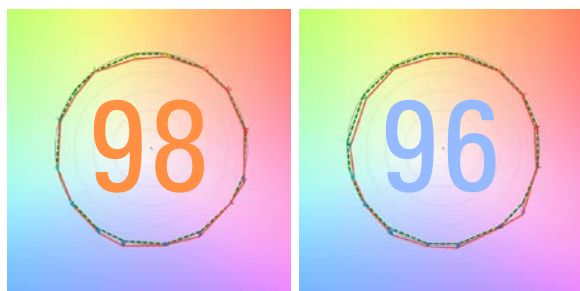
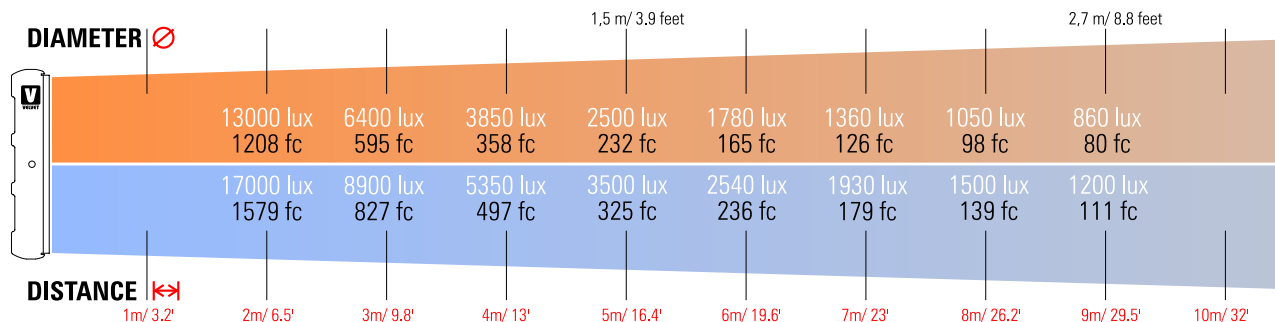
# VELVET Power 2 Spot 15° IP54

Ref.: VP2IP54SP

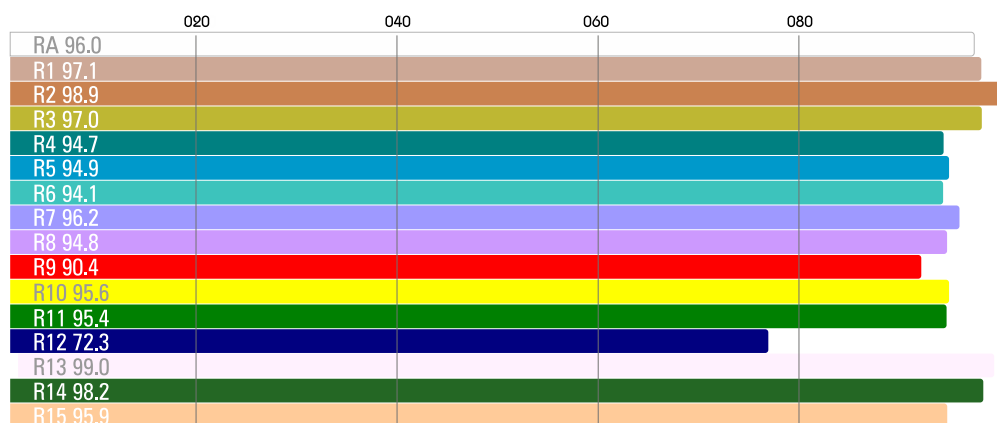
Datasheet: November 2021 / Page 3



## PHOTOMETRICS



### CCT 3220K



### CCT 5440K

# VELVET Power 2 Spot 15° IP54

Ref.: VP2IP54SP

Datasheet: November 2021 / Page 4



## ACCESSORIES

### POWER SUPPLY



VP2IP54-PSU

### BATTERY ADAPTERS



VLOCK

VL2-

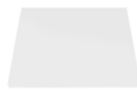


VL2-GOLD

### BEAM CONTROL



VL2-RB



VP2-D25



VP2-D50



VP2-D100



VP2-DVL



VP2-FBAG



VL2-SG



VL2-SG20



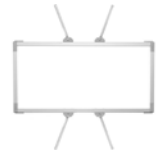
VL2-SG60



VL2-SB



VL2-SGXSB



2X1-RABBITREC



OCTA-SBR05



OCTA5-SG

### TRANSPORT



VL2-BAG



VL2-CASE

### RIGGING



VL2-QLS



VL2-YPO

### REMOTE CONTROL



VL-RC